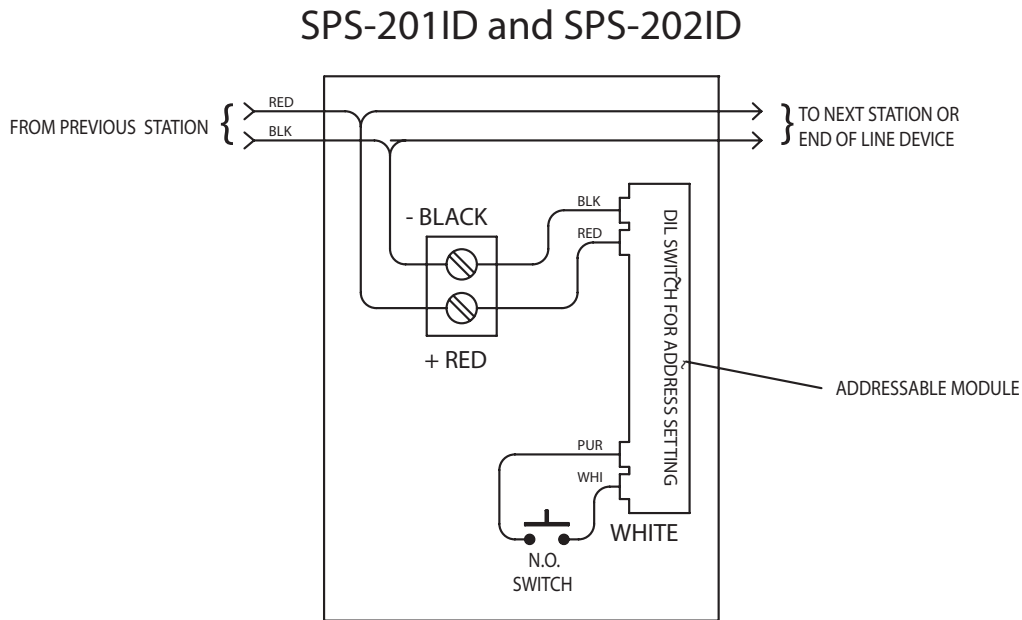


SPS-200 Series Installation Sheet

Summits SPS-200ID(U) series provide manual fire reporting. These high quality, die-cast metal Intelligent Fire Alarm Manual Stations are available as single or double action devices with key resets with a permanently attached addressable module. The addressable manual station has DIL switches which allow for address setting. Pulling the handle initiates the operation of the addressable module.

All manual fire alarm stations shall be installed as per the specific requirements outlined in the UL codes, as well as all other applicable national or local codes. Final acceptance is subject to the local authority having jurisdiction.



NOTES:

1. This unit is compatible with Summit SFC-500 series of panels.
2. Wire as shown so that supervision of connections is maintained.
- *3. Mount station to 4" square x 1 1/2" deep outlet box with adaptor plate or to a 4" x 2 1/2" single gang outlet box.
4. Maximum wire size: No. 12 AWG.
5. Switches shown in the Station Closed position.

* Iberville product number 52151K, 53151K, BC52-C-0.

Models

SPS-201ID: Single Stage Single Action

SPS-202ID: Single Stage Double Action

Specifications & Dimensions

Switch Rating:	1 Amp @ 30 VDC 0.1 Amp @ 125 VAC
Manual Station :	4.9" H x 3.5" W x 2.0" D
Surface-mount Backbox :	5.0" H x 3.6" W x 2.0" D

Canada

25 Interchange Way
Vaughan, ON L4K 5W3
Tel: (905) 695-3549
Fax: (905) 660-4113

U.S.A.

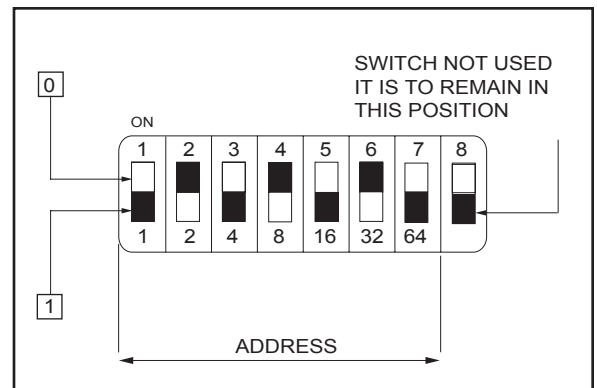
4575 Witmer Industrial Estates
Niagara Falls, New York 14305
Tel: (888) SUMMIT-0
Fax: (888) 660-4113



Address Setting

Segments 1–7 of the DIL switch are used to select the address of the module. Each of the seven segments must be set to '0' (ON) or '1' (OFF) using a small screwdriver or similar tool. A complete list of address settings is shown below.

DIL switch addr	DIL switch setting 1234567	addr	DIL switch setting 1234567	addr	DIL switch setting 1234567	addr	DIL switch setting 1234567	addr	DIL switch setting 1234567
1	1000000	11	1101000	21	1010100	31	1111100	41	1001010
2	0100000	12	0011000	22	0110100	32	0000010	42	0101010
3	1100000	13	1011000	23	1110100	33	1000010	43	1101010
4	0010000	14	0111000	24	0001100	34	0100010	44	0011010
5	1010000	15	1111000	25	1001100	35	1100010	45	1011010
6	0110000	16	0000100	26	0101100	36	0010010	46	0111010
7	1110000	17	1000100	27	1101100	37	1010010	47	1111010
8	0001000	18	0100100	28	0011100	38	0110010	48	0000110
9	1001000	19	1100100	29	1011100	39	1110010	49	1000110
10	0101000	20	0010100	30	0111100	40	0001010	50	0100110
51	1100110	61	1011110	71	1110001	81	1000101	91	1101101
52	0010110	62	0111110	72	0001001	82	0100101	92	0011101
53	1010110	63	1111110	73	1001001	83	1100101	93	1011101
54	0110110	64	0000001	74	0101001	84	0010101	94	0111101
55	1110110	65	1000001	75	1101001	85	1010101	95	1111101
56	0001110	66	0100001	76	0011001	86	0110101	96	0000011
57	1001110	67	1100001	77	1011001	87	1110101	97	1000011
58	0101110	68	0010001	78	0111001	88	0001101	98	0100011
59	1101110	69	1010001	79	1111001	89	1001101	99	1100011
60	0011110	70	0110001	80	0000101	90	0101101	100	0010011
101	1010011	111	1111011	121	1001111				
102	0110011	112	0000111	122	0101111				
103	1110011	113	1000111	123	1101111				
104	0001011	114	0100111	124	0011111				
105	1001011	115	1100111	125	1011111				
106	0101011	116	0010111	126	0111111				
107	1101011	117	1010111						
108	0011011	118	0110111						
109	1011011	119	1110111						
110	0111011	120	0001111						



Canada

25 Interchange Way
Vaughan, ON L4K 5W3
Tel: (905) 660-4655
Fax: (905) 660-4113

U.S.A.

4575 Witmer Industrial Estates
Niagara Falls, New York 14305
Tel: (888) SUMMIT-0
Fax: (888) 660-4113

