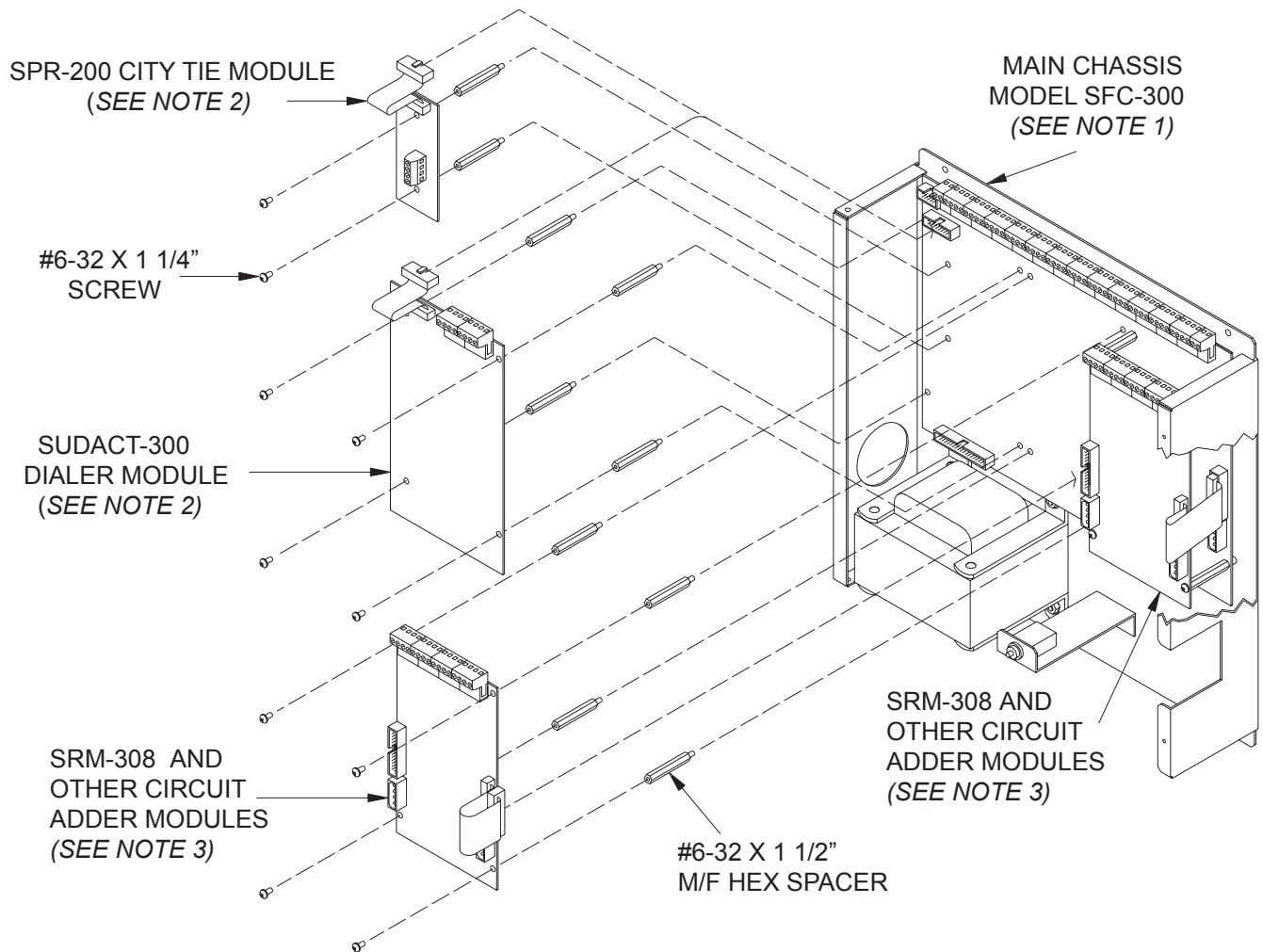


Module Mounting Locations

For the SFC-300 Series Fire Alarm Panel, the SRM-308 may be mounted in the same locations as other adder modules. Refer to Figure 1 below for mounting locations.

Note: Only the last circuit adder module should have a jumper plug on its continuity jumper; all others must be left without a jumper plug.

Figure 1: Module Mounting Locations

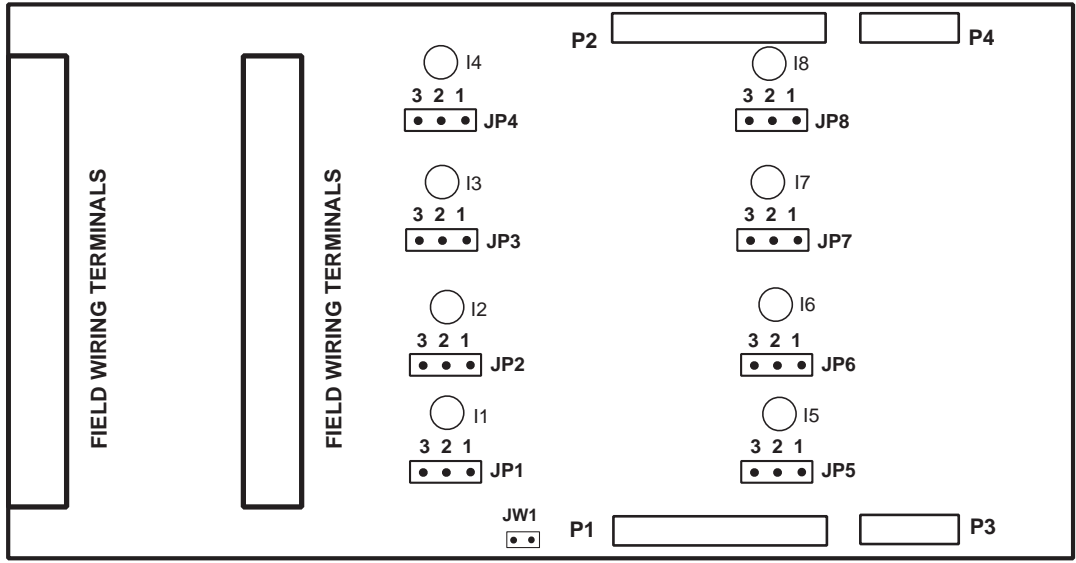


Notes:

1. Front plate is not shown.
2. Reserved for SUDACT-300 or
3. Other circuit adder modules may be:
 - SDM-308 Detection Circuit Adder Module
 - SSM-304 Signal Circuit Adder Module
 - **SRM-308 Relay Circuit Adder Module**

Terminal and Jumper Locations

Figure 2: SRM-308 Relay Adder Module



P2: Data cable goes to SFC-300 previous adder modules.

P1: Data connector for next adder module.

P4: Power connector goes to P8 of the SFC-300 or to previous adder module.

P3: Power connector for next adder module.

JW1: Remove continuity jumper if there are any more adder modules installed.

JP1-JP8: Move jumpers from pins 1 and 2 to 2 and 3 to connect relay commons between two or more relays.

Note: Refer to operating manual of the Fire Alarm Panel such as the SFC-300 for complete and specific details regarding mounting, function selection and wiring.