

SPS-200 Series Installation Sheet

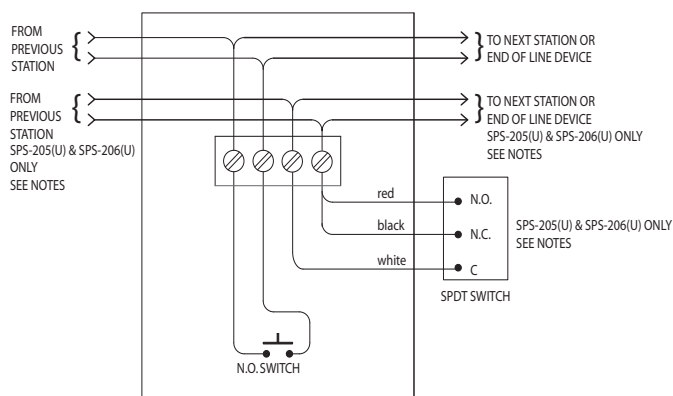
Summit's SPS-200 Series Manual Stations provide manual fire reporting. These high quality, die-cast metal manual stations are available in either single or dual action configurations with SPST contacts and terminal strip connections. The normally open contact, which closes when the manual station is activated, is rated for 1 Amp at 30 VDC, 0.1 Amps at 125VAC. The contacts are gold plated to avoid the risk of corrosion.

The SPS-200 Series Manual Stations are available in many different configurations as either single or dual-action devices.

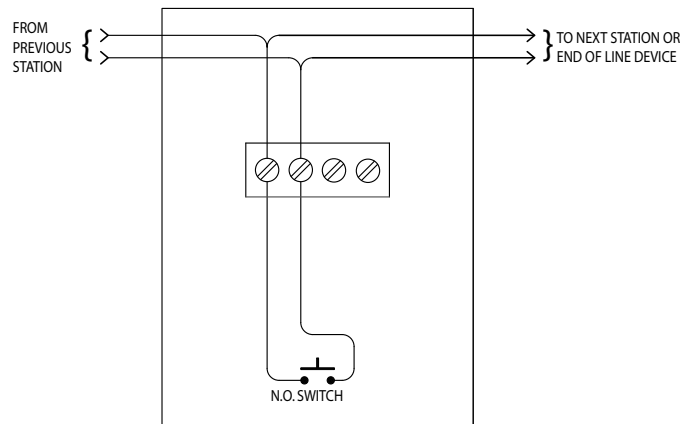
All manual fire alarm stations shall be installed as per the specific requirements outlined in the UL/ULC codes, as well as all other applicable national or local codes. Final acceptance is subject to the local authority having jurisdiction.

Wiring

SPS-201, SPS-202, SPS-205 & SPS-206



SPS-201P & SPS-202P



Notes:

- Wire as shown so that supervision of connections is maintained.
- Mount station to 2" x 4" x 2 1/4" outlet box.
- Maximum size: No. 12 AWG.
- For SPS-205(U) and SPS-206(U), these terminals will be used for additional Form "C" (SPDT) Contact.
- For Normally Open operation, cut the NC wire
- For Normally Closed operation, cut the NO wire
- Switches shown in the Station Closed position.

Specifications & Dimensions

Switch Rating: 1 Amp @ 30 VDC
0.1 Amp @ 125VAC

Manual Station: 4.9"H x 3.5"W x 2.0"D
Surface-mount Backbox: 5.0"H x 3.6"W x 2.0"D

Models

SPS-201:	Single Action Manual Station
SPS-202:	Dual Action Manual Station
SPS-201P:	Single Action Manual Station C/W Pig Tail Leads
SPS-202P:	Dual Action Manual Station C/W Pig Tail Leads
SPS-205:	Single Action Manual Station C/W Additional 1 Form "C" (SPDT) Contact
SPS-206:	Dual Action Manual Station C/W Additional 1 Form "C" (SPDT) Contact
SBB-200:	Backbox
SBB-200WP:	Weatherproof Backbox

Canada
25 Interchange Way
Vaughan, ON L4K 5W3
Tel: (866) SUMMIT-0
(905) 695-3549
Fax: (905) 660-4113

U.S.A
60 Industrial Parkway, PMB 278
Cheektowaga, New York 14227
Tel: (866) SUMMIT-0
(866) 786-6480
Fax: (905) 660-4113

SUMMIT
SYSTEMS TECHNOLOGIES

www.summit-st.net

LT-936SUM Rev. 3