

In no event shall Summit be liable for any direct, indirect or consequential damages, loss of anticipated profits, loss of time or any other losses incurred by the buyer in connection with the purchase, installation or operation or failure of this product.

**Important!**

Summit recommends that the entire system be completely tested on a regular basis. However, despite frequent testing, and due to but not limited to criminal tampering or electrical disruption, it is possible for this product to fail to perform as expected.



LT-2030SUM Rev. 1

**Canada**  
 25 Interchange Way  
 Vaughan, ON, L4K 5W3  
 Tel: (905) 695-3549  
 Fax: (905) 660-4113  
 www.summit-st.net

**USA**  
 60 Industrial Parkway PMB 278  
 Cheektowaga, NY, 14227  
 Tel: (866) 786-6480  
 Fax: (888) 660-4113

# INSTALLATION INSTRUCTIONS



## SRTI-100 Remote Trouble Unit

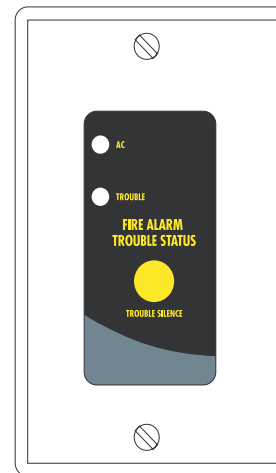
## SRAM-105 Remote Trouble & Alarm Unit

The SRTI-100 Remote Trouble Unit provides remote trouble annunciation for the SFC-102/105 fire alarm control panels. The SRAM-105 Remote Trouble and Alarm Unit provides remote trouble annunciation for the SFC-102/105 series fire alarm control panels. A maximum of four SRTI-100 and four SRAM-105 units can be connected to each control panel.

### SPECIFICATIONS

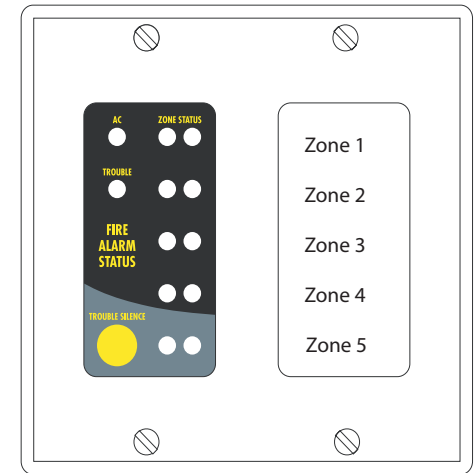
- Green AC ON indicator
- Yellow Common Trouble indicator
- Trouble Silence pushbutton
- Lamp Test function
- Communications: DAT & CLK from control panel
- Standby current: 15 mA
- Voltage: 24 VDC
- Up to 8 addressable units (4 of each type)
- Supervised
- Power: AUX & COM from control panel

**NOTE: This component must be included in the control panel battery calculation. Refer to the Standby Battery Calculation Sheet included with the control panel.**



### SRTI-100

- Alarm current: 25 mA max.
- Single gang mounting
- 2 3/4 x 4 1/2" (70 mm x 115 mm)



### SRAM-105

- Alarm current: 40 mA max.
- Double gang mounting
- 4 1/2 x 4 1/2" (115 mm x 115 mm)
- Alarm & Supervisory LED/Zone

## INSTALLATION

The SRTI-100 module mounts in a single gang outlet box. The SRAM-105 mounts in a double gang outlet box. Refer to Figures 1 & 2 and Tables 1 & 2.

1. Configure jumpers (item 1) for desired operating address.
2. Affix zone identification labels, if required, on the label aligned with the LED indicators (SRAM-105 Only).
3. Route Secur-Bus™ wiring through the outlet box. Connect the 4 wires to the terminals (item 2) on the PC board.
4. Position the module in the outlet box and secure with the screws (item 3) provided (2 screws for the SRTI-100, 4 screws for the SRAM-105).
5. Secure the front panel (item 4) to module with the screws provided (item 5).

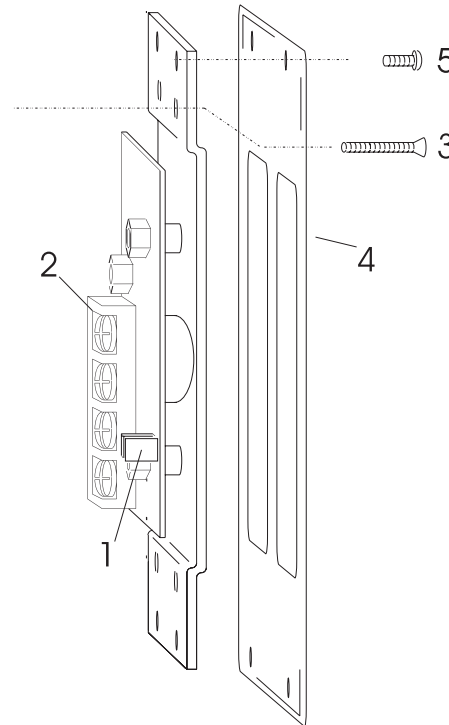
## OPERATION

The AC and Trouble LEDs on the remote units follow the control panel AC and Trouble LEDs. Pressing the Trouble Silence switch at the panel or at any remote unit will silence the trouble buzzer at the panel and all remote units.

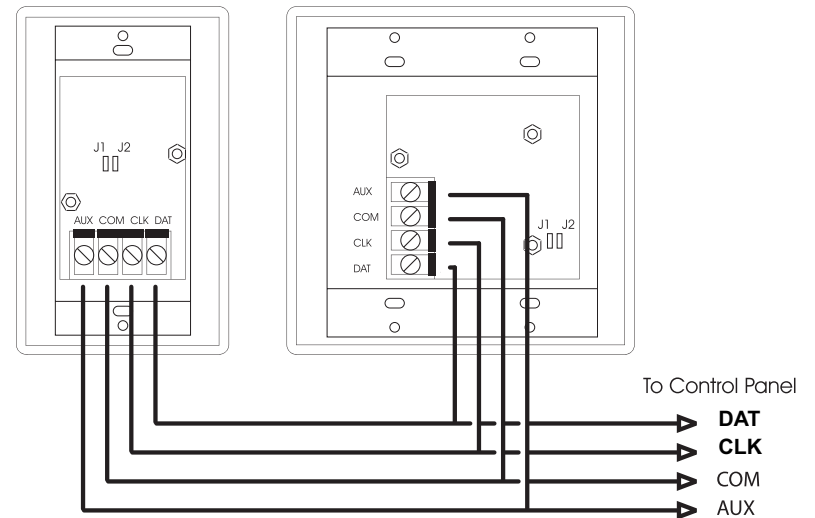
Zone indicators on the remote units follow the zone indicators of the control panel. The red LED will operate if the panel zone is programmed for 'ALARM' and the yellow LED will operate if the panel zone is programmed for 'SUPERVISORY'.

The Lamp Test is initiated by pressing and holding the Trouble Silence pushbutton for 1/2 second. The LEDs will flash until the button is released.

**Figure 1 Exploded View**



**Figure 2 Panel Rear View**



Typical wiring connections. Refer to the SFC-102/105 Series Control Panel *Installation Manual* for Secur-Bus wiring details.

J1	J2	Address
OFF	OFF	1
ON	OFF	2
OFF	ON	3
ON	ON	4

Current mA	18 AWG		16 AWG	
	Feet	Meters	Feet	Meters
15	6410	1954	10160	3098
30	3200	976	5080	1549
45	2135	651	3385	1032
60	1600	488	2540	774
75	1280	390	2030	619
90	1065	325	1690	515