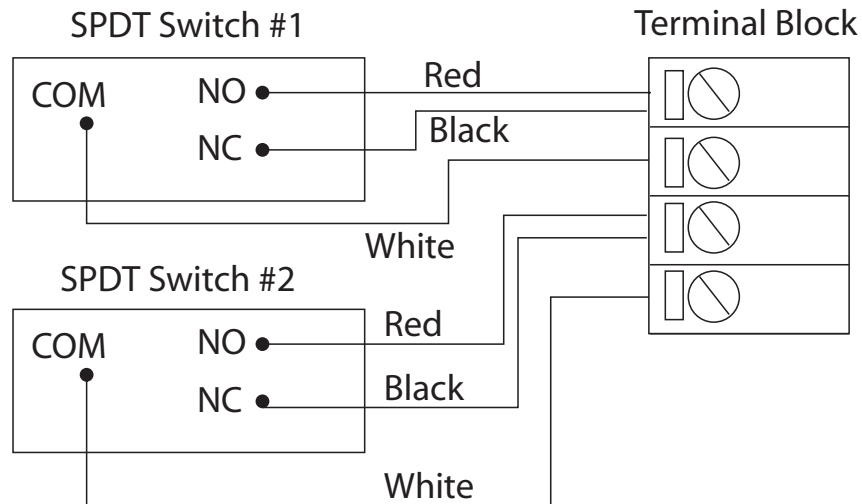


SPS-300 Series Emergency Manual Stations

Installation Sheet

Summit's SPS-300 Series Emergency Manual Stations are high-quality, die-cast metal manual stations that are designed to meet special use requirements. The SPS-300 Series is designed for indoor and outdoor use. Models are available in either single or dual action configurations with SPDT contacts and terminal strip connections. The contacts are gold plated to avoid the risk of corrosion. The SPS-301 model is available in blue, and the SPS-302 model is available in yellow.

Wiring



Notes:

- For Normally Open operation, cut the NC wire
- For Normally Closed operation, cut the NO wire
- Switches shown in the Station Closed position.

Specifications & Dimensions

Switch Rating: 1 Amp @ 30 VDC
1 Amp @ 125 VAC

Manual Station :
Surface-Mount Backbox:

4.9"H x 3.5"W x 2.3"D
5.0"H x 3.6"W x 2.0"D

Models

SPS-301: Blue Single Action Emergency Manual Station C/W 2 Form "C" Contacts
SPS-302: Yellow Single Action Emergency Manual Station C/W 2 Form "C" Contacts

Canada
25 Interchange Way
Vaughan, ON L4K 5W3
Tel: (866) SUMMIT-0
(905) 695-3549
Fax: (905) 660-4113

U.S.A
60 Industrial Parkway, PMB 278
Cheektowaga, New York 14227
Tel: (866) SUMMIT-0
(866) 786-6480
Fax: (905) 660-4113


SUMMIT
SYSTEMS TECHNOLOGIES

www.summit-st.net

LT-1015SUM Rev. 1