

## Mircom MH-25 Series Piezoelectric Mini Horns



### Features

- High sound output for enhanced audibility (over 90 dBA at 10 feet) @ 24VDC
- 24 VDC models with wide listed voltage range, filtered DC (Non Silenceable only)
- Polarized inputs for compatibility with standard reverse polarity supervision of circuit wiring by an alarm panel
- Mounts into standard single gang box
- Flush or surface mounting options
- Compatible with sensitive detection and communication circuits
- Available in red or off-white finish

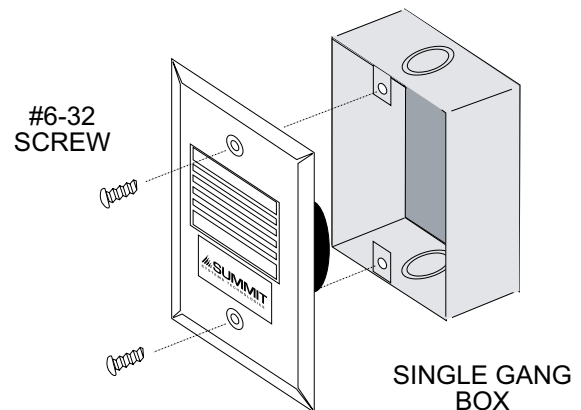
### Description

The MH-25 Series mini horns are compact electronic alarm appliances that are ideal for alarm signalling in individual rooms, apartments, hotels and offices where attractive appearance and dependable performance are prime concerns.

When activated, the MH-25 Series mini-horns produce a high sound output of over 90 dBA at 10 feet with a minimum current draw of 15.5 milliamps at 24 VDC (unfiltered) on the non silenceable models. The MH-25 Series are designed as alert or alarm signal appliances for use with any conventional Fire Alarm Control panel.

All MH-25 Series mini horns are designed for easy installation with convenient mounting to standard single gang boxes and in-out wire leads for fast connection. The front face plates are ruggedly constructed of high impact thermoplastic and are available in fire alarm red or off-white to blend with any room decor.

### Installation Instructions



S5375



S5375



7135-1477-118

**MEA**  
approved

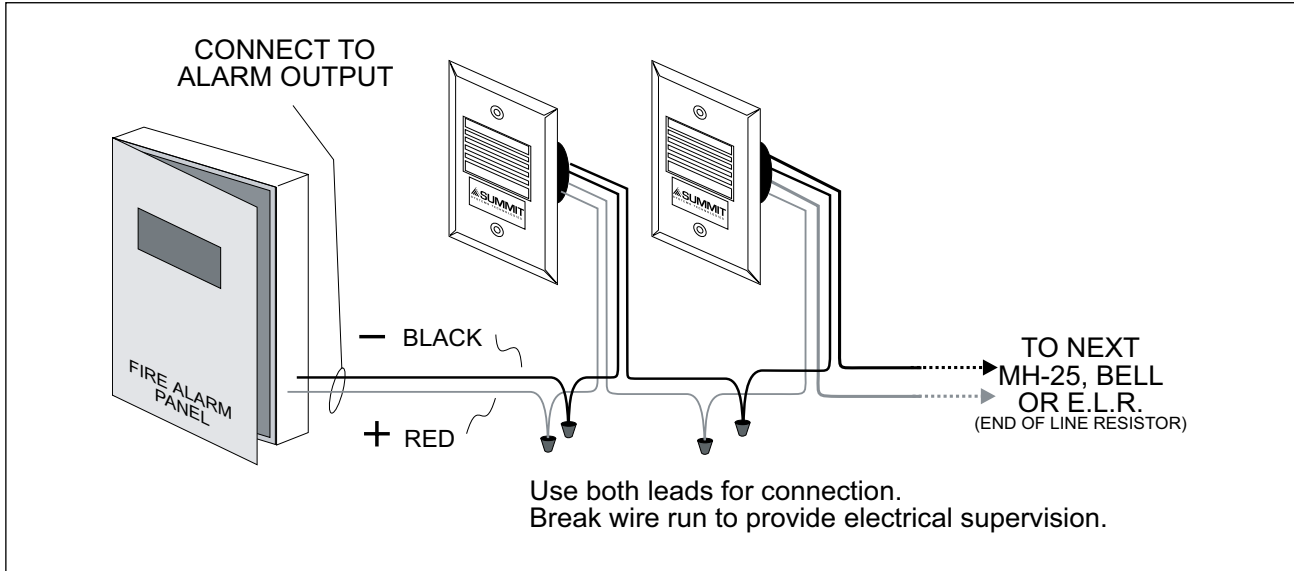
313-97-E

## Specifications

<b>Rated Voltage</b>	<b>10-28VDC</b>				<b>Operating Temperature</b>	-4°F to 140°F (-20°C to 60 °C)
<b>Operating Voltage (V)</b>	10	12	24	28	<b>Weight</b>	2.2oz (63g)
<b>Current (mA)</b>	5	6	17	27	<b>Color Selection</b>	Red/White
<b>Sound Level (dB)</b>	85	87	91	95	<b>Plate</b>	A.B.S.

**Note:** Sound level in an indoor installation may vary depending upon the space surroundings.

## Typical Wiring Diagram



## Ordering Information

Model Number	Description
MH-25R	Mini-Piezo, Red
MH-25W	Mini-Piezo, White

