

SUDACT-300A

Digital Alarm Communicator/Dialer Module



Description

The SUDACT-300A Digital Alarm Communicator Transmitter/Dialer Module allows Summit's SFC-300 Series Fire Alarm Control Panels to transmit Alarm, Supervisory and Trouble information on two telephone lines to a monitoring facility.

The SUDACT-300A is powered by the host fire alarm control panel and communicates with the fire alarm control panel via an RS-485 data link. The Digital Communicator can be programmed for dual line operation and uses the Security Industry Association (SIA) and Ademco Contact ID reporting protocols.

The SUDACT-300A can be configured locally via the on-board keypad and the CFG-300 Configuration Tool or with a UIMA programming tool and a computer with an available serial or USB port. In addition the SUDACT-300A can be remotely configured using a personal computer with a modem.

The SUDACT-300A can be configured for either DACT or UDACT operation. In DACT mode the Digital Communicator reports common alarm, trouble and supervisory information. In UDACT mode the Digital Communicator reports point specific information.

Features

- Communicates with Summit's SFC-300 Series fire alarm control panels via an RS-485 data link
- Programmed to use the Ademco Contact ID and SIA-DCS reporting protocols
- Can be configured for DACT or UDACT mode of operation
- DACT mode transmits a common Alarm, Supervisory, Waterflow and Trouble information
- UDACT mode transmits point-specific Alarm, Supervisory, Waterflow, and Trouble information
- SUDACT-300A has the ability of disconnecting the incoming and outgoing calls and capturing the line for transmission to the Digital Alarm Communicator Receiver (DACR)
- Onsite or remote programming
- Onsite configurable with the on-board keypad and the CFG-300 Configuration Tool or using the UIMA Programming Tool and a computer with an available serial or USB port
- Remotely configurable via a Personal Computer with a modem (Configuration is passcode protected)
- Provides telephone line monitoring and reports status via LED indication on-board
- Provides event logs of 500 entries each to save events from local dialer or remote fire alarm panel
- Logs can be reviewed locally with the CFG-300 Configuration Tool or remotely via modem
- Continuously supervises the status of each of two connected telephone lines at approximately one minute intervals
- Mounts in a dedicated location in the SFC-300 Series main chassis



S24005



S24005



71-08-E



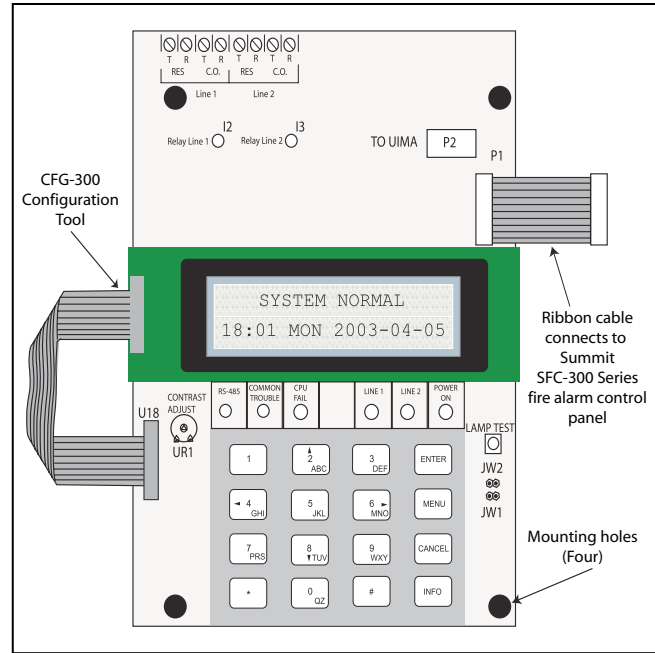
CFG-300 Configuration Tool

The CFG-300 Configuration Tool is required for onsite programming of the SUDACT-300A. The CFG-300 plugs into the SUDACT-300A to provide a two line by 20 character LCD display. The CFG-300 tool is used for configuration purposes only and not for normal operation.

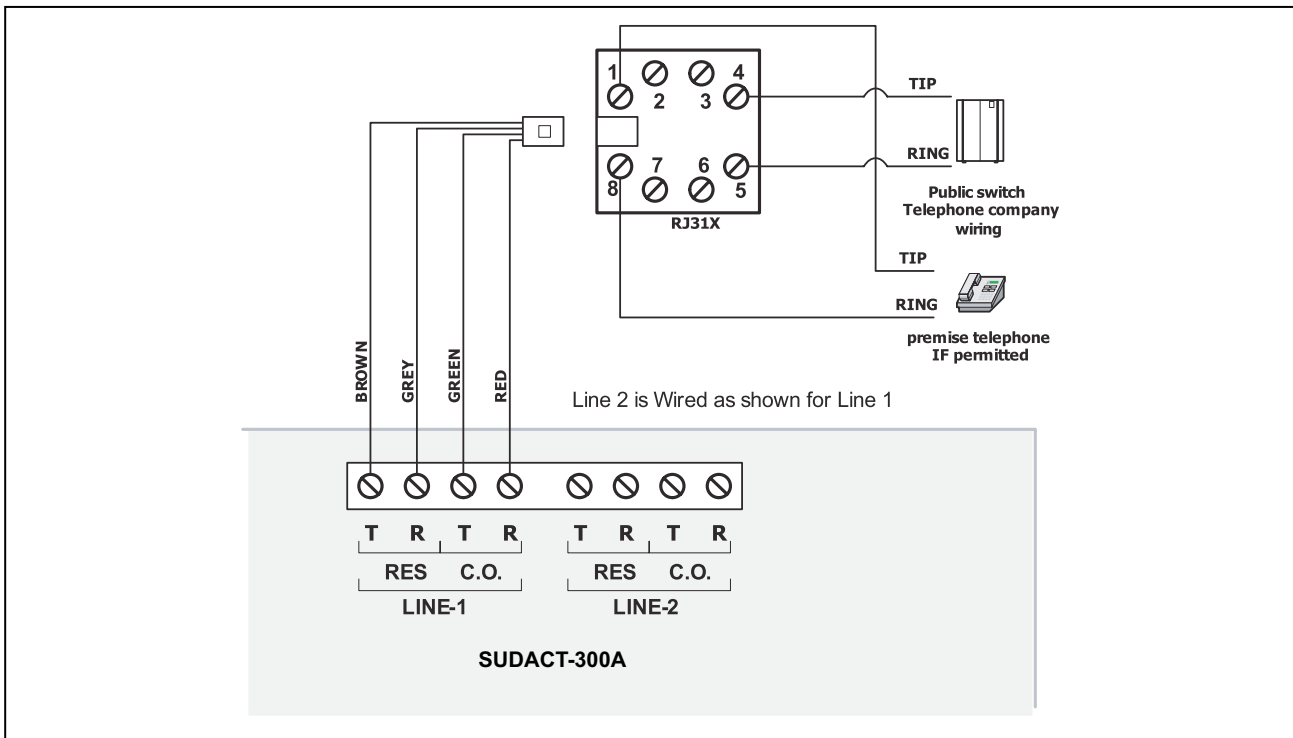
Current Consumption

Standby	40 mA
Alarm	60 mA

SUDACT-300A Connection Diagram



SUDACT-300A Wiring Diagram



Ordering Information

Model	Description
SUDACT-300A	Universal Digital Alarm Communicator Transmitter
CFG-300	Configuration Tool
UIMA	Universal Programming Tool

