

SPS-300 Series Emergency Manual Stations



SPS-302
Yellow Single Action Manual
Station

SPS-301
Blue Single Action Manual
Station

Features

- Single Action
- Key resettable
- Terminal connectors
- Gold plated SPDT contacts
- High-gloss enamel in Blue and Yellow
- Normally Open or Normally Closed Alarm Contacts
- Meets ADA 5 lb. maximum manual-force

Description

Summit's SPS-300 Emergency Manual Stations are high quality, die-cast metal manual stations that are designed to meet special use requirements. The SPS-300 are designed for indoor and outdoor use.

Summit's SPS-300 Emergency Manual Stations consist of two models. The SPS-301 and SPS-302 are both single action manual stations. The SPS-301 is finished in a Blue enamel and the SPS-302 is finished in a Yellow enamel.

Both models are available with key resets, CAT-30 lock and keys, SPDT contacts and terminal strip connections. The contacts are gold plated to avoid the risk of corrosion. The SPS-300 Emergency Manual Stations mount on a standard single gang backbox.

Operation

The SPS-300 Single Action Emergency Manual Stations are operated by pulling down the handle marked "PULL HANDLE" on the front of the station.

The SPS-300 Series Emergency Manual Stations are reset by opening the station with the key, placing the handle in the normal upright position and re-locking the station.



S24086



7150-1665:103

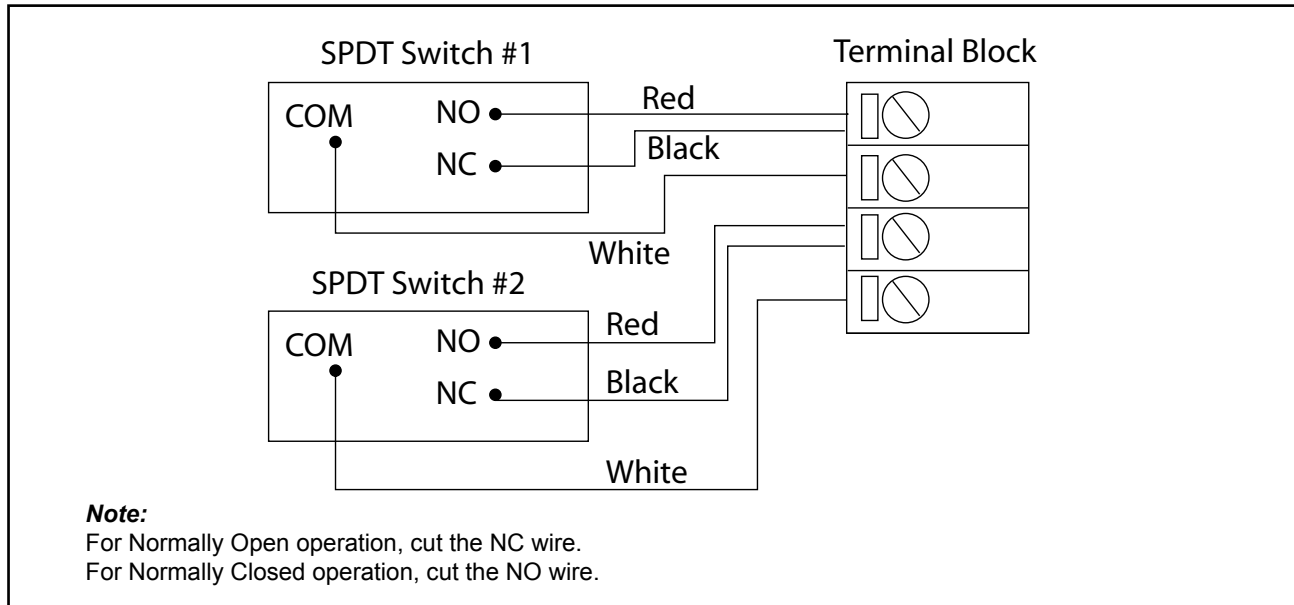
MEA
approved

71-08-E

Specifications

Switch Rating	1 Amp @ 30 VDC 0.1 Amp @ 125 VAC
Manual Station Dimensions	4.9" H x 3.5" W x 2.0" D
Colors	Blue or Yellow with raised white letters. White manual bar with raised black letters.

Typical Wiring Diagram



Ordering Information

Model Number	Description
SPS-301	Blue Single Action Emergency Manual Station c/w 2 Form "C" Contacts
SPS-302	Yellow Single Action Emergency Manual Station c/w 2 Form "C" Contacts

