

## SPS-200 Series Manual Stations



SPS-201  
Single Action Manual Station

SPS-202  
Dual Action Manual Station

### Features

- Single or Dual Action
- Key resettable
- Terminal connectors
- Gold plated SPST contacts
- Optional auxiliary contacts
- High-gloss red enamel finish
- Plastic breakrod
- Meets ADA 5 lb. maximum manual-force
- Mounts on standard single gang box, Summit's SBB-200 surface metal backbox or SBB-200WP weather proof backbox

### Description

Summit's SPS-200 Series Manual Stations provide manual fire reporting. These high quality, die-cast metal manual stations are available in either single or dual action configurations with SPST contacts and terminal strip connections. The normally open contact, which closes when the manual station is activated, is rated for 1 amp, 30 VDC. The contacts are gold plated to avoid the risk of corrosion.

The SPS-200 Series Manual Stations are available in many different configurations as either single or dual-action devices.

The SPS-201 is a single action, single stage manual station. Model SPS-202 is a single stage, dual action manual station.

All models are available with key resets, terminal connectors, SPST gold contacts and CAT-30 lock and keys. The units mount on a standard single gang backbox, Summit's SBB-200 surface metal backbox or SBB-200WP weather proof backbox.

The SPS-200 Series Manual Stations are listed for outdoor applications when used with the SBB-200WP.

### Operation

The SPS-201 Single Action Manual Station is operated by pulling down the handle marked "PULL HANDLE" on the front of the station. The SPS-202 Dual Action Manual Station is operated by pushing the bar labelled "PUSH BAR" and then pulling down the handle marked "PULL HANDLE". The SPS-200 Series Manual Stations are reset by opening the station with the key, placing the handle in the normal upright position and re-locking the station.

### Specifications

The manual station shall be Summit's SPS-200 Series. Operating instructions shall be in raised English lettering and the unit shall be constructed of high quality die-cast metal and finished in red enamel paint to provide quick identification. Pulling the handle shall initiate immediate operation of the alarm detection circuit. All manual fire alarm stations shall be installed as per the specific requirements outlined in the UL codes, as well as all other applicable national or local codes. Final acceptance is subject to the local authority having jurisdiction.



S24086



7150-1665:103



71-08-E

## Specifications

### Switch Rating:

1 Amp @ 30 VDC  
0.1 Amp @ 125 VAC

### Manual Station Dimensions:

4.9" H x 3.5" W x 2.0" D

### Color:

Red with raised white letters, white manual bar with raised black letters.

## Surface Mount Backboxes



### SBB-200 Surface Mount Backbox

Dimensions:  
5" H x 3.6" W x 2.0" D

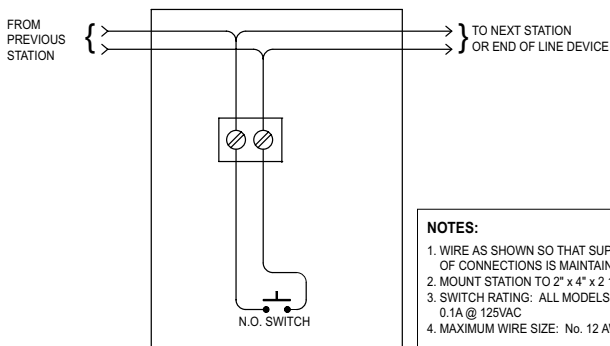


### SBB-200WP Weatherproof Surface Mount Backbox

Dimensions:  
5" H x 3.6" W x 2.2" D

## Typical Wiring Diagrams

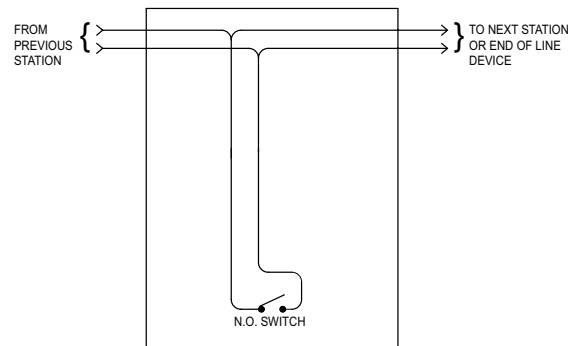
### SPS-201 and SPS-202



#### NOTES:

1. WIRE AS SHOWN SO THAT SUPERVISION OF CONNECTIONS IS MAINTAINED.
2. MOUNT STATION TO 2" x 4" x 2 1/4" OUTLET BOX.
3. SWITCH RATING: ALL MODELS 1A @ 30VDC, 0.1A @ 125VAC
4. MAXIMUM WIRE SIZE: No. 12 AWG.

### SPS-201P and SPS-202P



## Ordering Information

Model Number	Description
SPS-201	Single Action Manual Station
SPS-202	Dual Action Manual Station
SPS-201P	Single Action Manual Station c/w pig tail leads
SPS-202P	Dual Action Manual Station c/w pig tail leads
SPS-205	Single Action Manual Station with additional Form 'C' contact
SBB-200	Series 200 Interior Surface Mount Backbox, Red Finish
SBB-200WP	Series 200 Weatherproof Surface Mount Backbox, Red Finish

